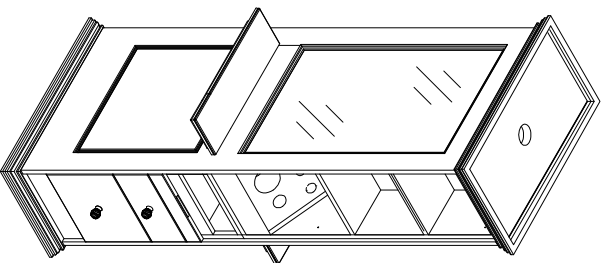


Assembly Instructions

Oxford Styling Station

Model #3455



Important Safety Instructions

- Please read all instructions carefully before assembling this desk.
- For your safety, assembly by two or more adults is strongly recommended.
- Keep these instructions for future use.
- Use only vendor supplied hardware to assemble this item. Using unauthorized hardware could jeopardize the structural integrity of the item.

Pre-Assembly

- Remove all parts and hardware from the box. Place them on a carpeted or scratch-free work surface, as this will avoid damaging parts during assembly. The shipping box provides an ideal work surface.
- To avoid accidentally discarding small parts or hardware, do not dispose any packaging or contents of the shipping carton until assembly is complete.
- Use the parts and hardware list on the right to identify and separate all of the pieces included.
- The illustrations provided allow for easier assembly when used in conjunction with the assembly instructions.
- The use of power tools to aid in assembly is not recommended. Power tools can damage hardware and split wood.

PARTS LIST**

Part	Qty.	Description	Sketch
A	2	Large Wood Screw	
B	4	Handle	
C	4	Handle Screws	
D	4	Short Allen bolts	
E	4	Appliance Rings	

**Open all drawers and boxes to check for parts before beginning assembly.

Tools required:

Phillips-head screwdriver (Not included)
(power drill recommended)

Components (Label - Description)

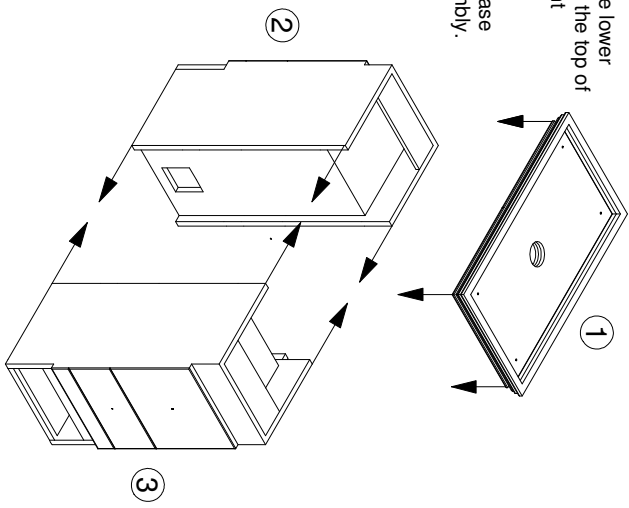
- | | |
|-------------------------|-------------------|
| 1 - Base | 5 - Upper cabinet |
| 2 - Lower left cabinet | 6 - Granite shelf |
| 3 - Lower right cabinet | 7 - Top panel |
| 4 - Mirror panel | |

Care Instructions

- Dust often using a clean, soft, dry and lint-free cloth.
- Blot spills immediately and wipe with a clean, damp cloth.
- We do not recommend the use of chemical cleansers, abrasives, or furniture polish on our lacquered finish.
- Hardware may loosen overtime. Periodically check to make sure all connections are tight. Re-tighten if necessary.

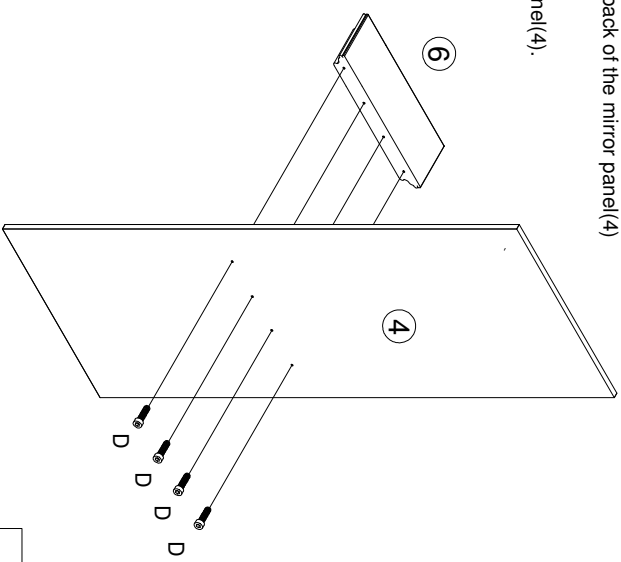
1 - Assembling the Bottom

- 1) Turn the lower left and lower right cabinet(2,3) upside-down and move them together.
- 2) Position the base(1) on the top of the lower cabinets(2,3) so that the squares on the top of the base fit between the left and right lower cabinets as shown below.
- 3) The squares should help align the base and the lower cabinets during assembly.



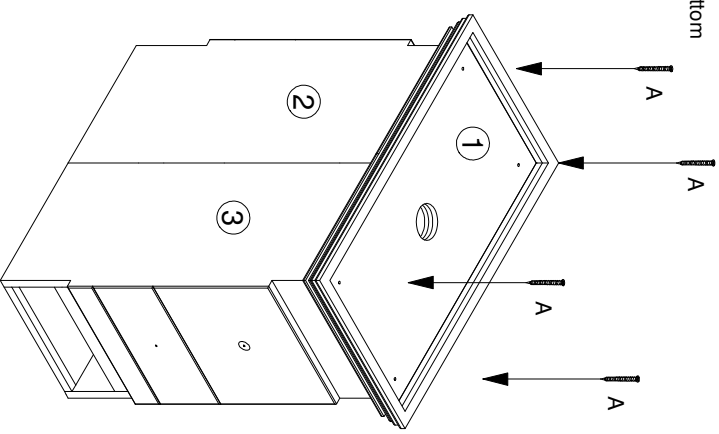
3 - Assembling granite shelf

- 1) Screw 4 bolts(D) through the back of the mirror panel(4) into the granite shelf(6).
- 2) Repeat for the other mirror panel(4).



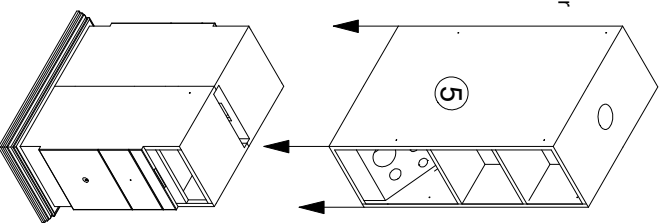
2 - Securing the Base

- 1) Insert 4 large wood screws(A) into the bottom of the base(1) into the screw holes as indicated below



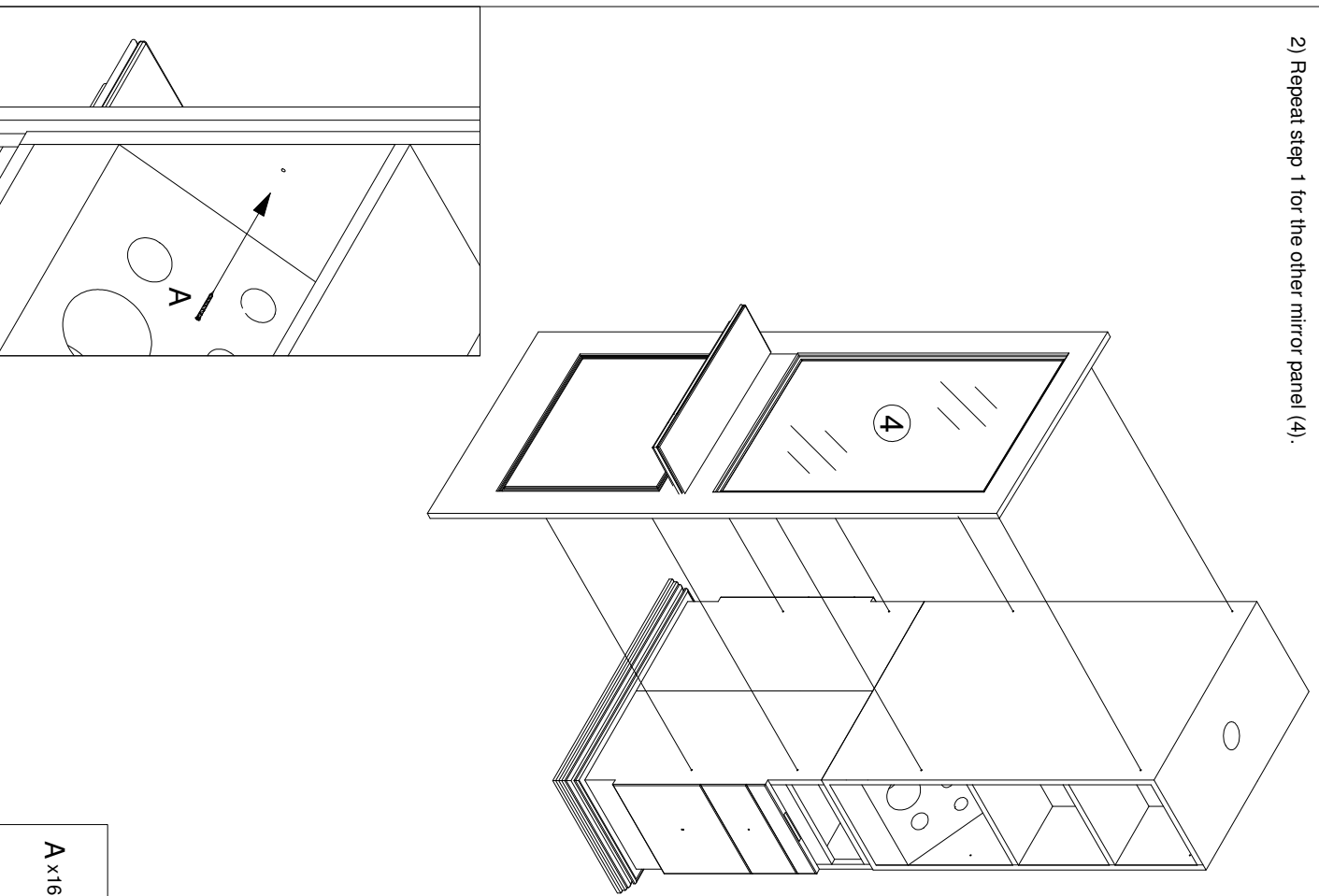
4 - Assembling cabinet sections

- 1) Turn the connected base and lower cabinet section over so that the lower cabinet section is upright.
- 2) Place the upper cabinet(5) on the top of the now assembled lower cabinet portion and align accordingly(sections will be secured by the mirror panel).



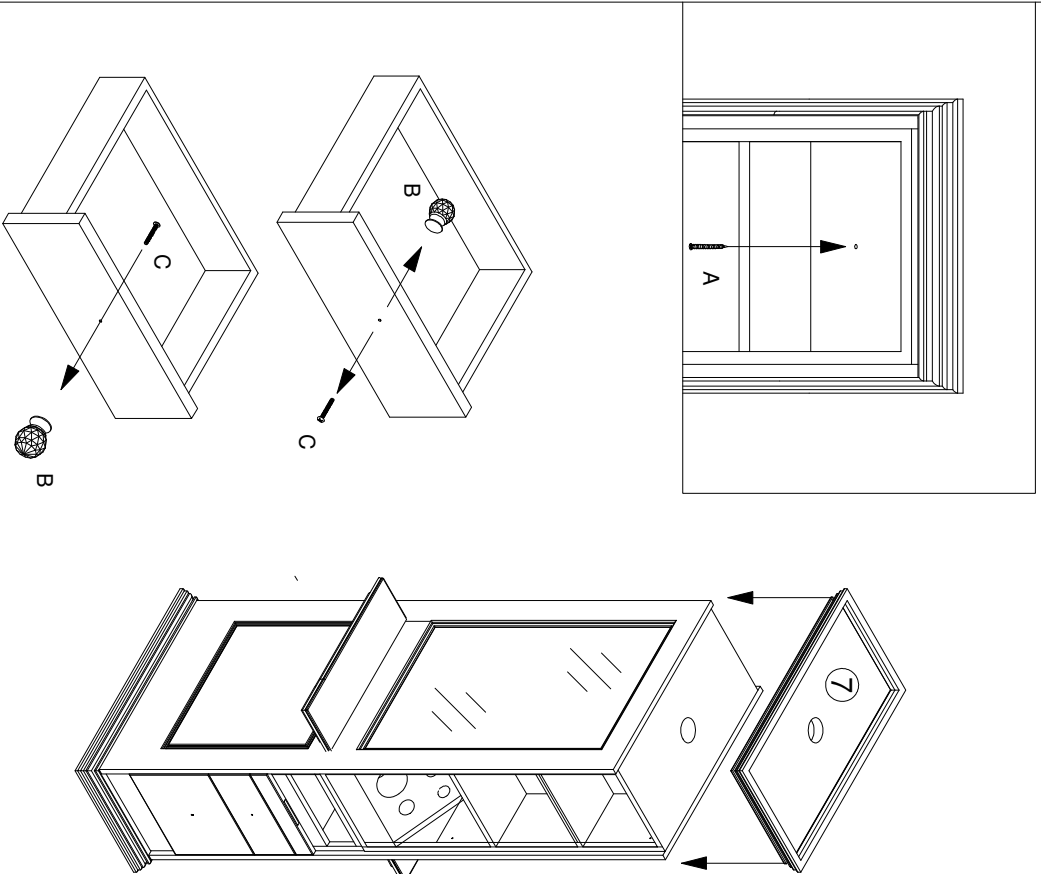
5 - Mounting the mirror panels

- 1) Secure the mirror panel to the cabinet section by inserting 8 wood screws(A) through the cabinets into the mirror panel as shown below. Make sure cabinets are securely positioned before installing mirror panel.
- 2) Repeat step 1 for the other mirror panel (4).



6 - Assembling the top and replacing the drawers

- 1) Place the top panel(7) on top of the cabinet section and align the corners with the corners of the mirror panel
- 2) Screw two wood screws(A) trough the upper cabinet into the top panel(7) as shown below.
- 3) For shipping, the drawer handles are attached to the insides of the drawer faces. Using a Phillips-head screwdriver, remove the 2 screws in each and reattach the handles on the front of the drawers.
- 4) **CAREFULLY** align and slide the drawers back into their respective glides.



A x16

A x2
F x4
G x4